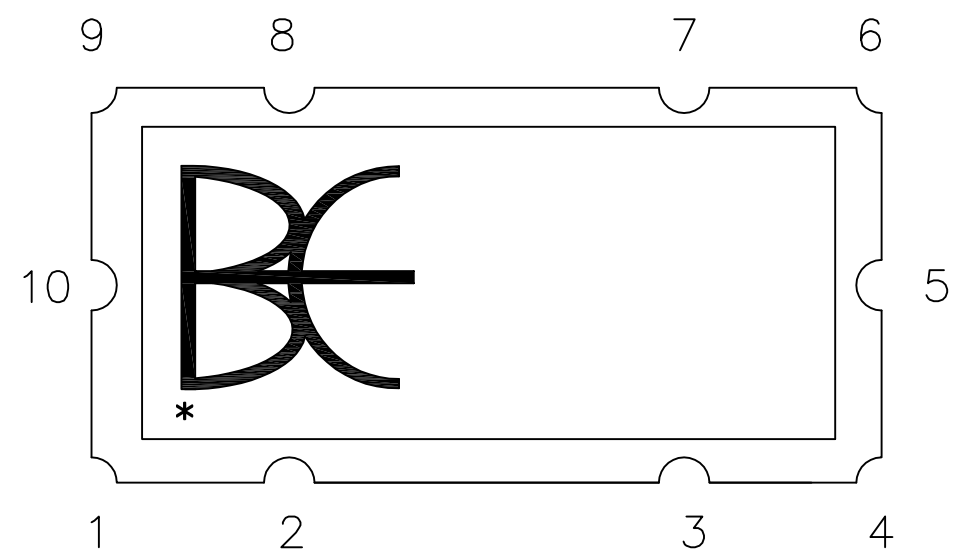
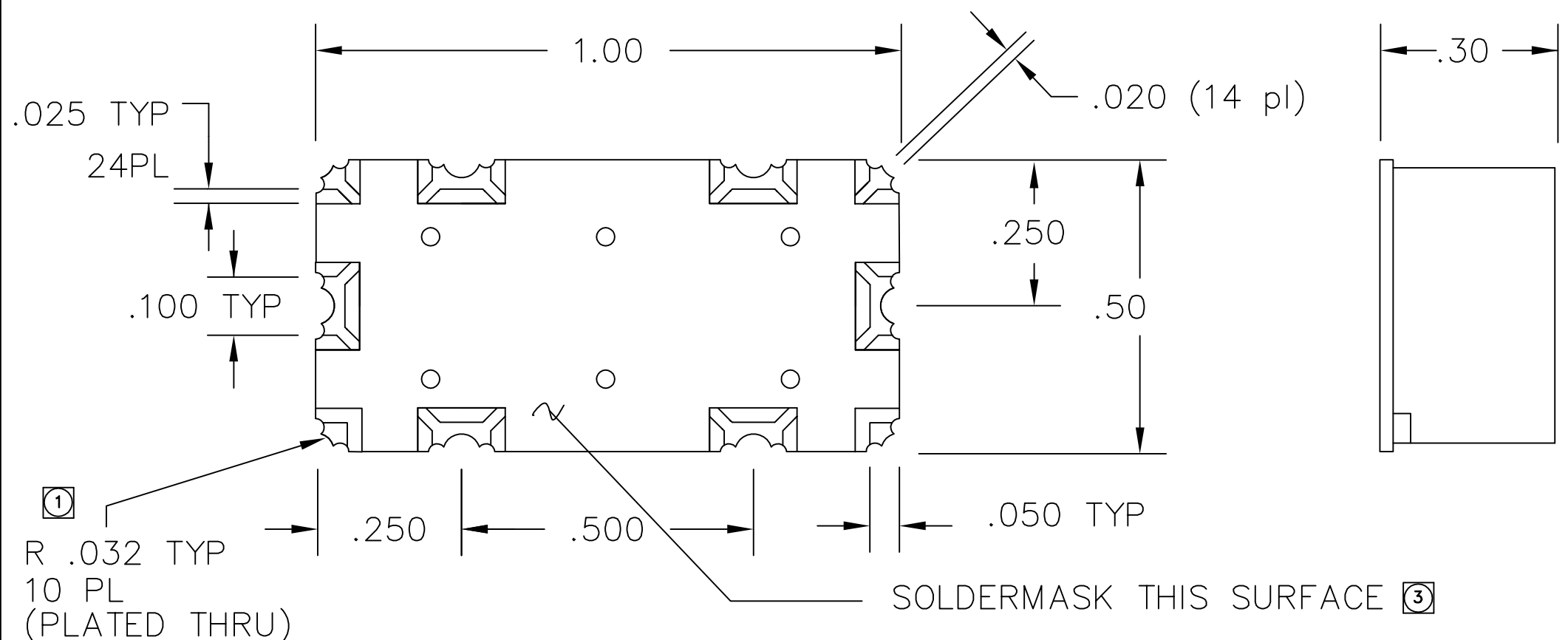


REVISIONS			
REV	DESCRIPTION	DATE	APPROVED
1	Re Draw on CAD	12/18/03	BE
2	Add Finish	12/02/08	BE
3	Add Note 3	6/3/09	



CONTACT I/O
(TOP VIEW)

- ① Location of plated thru holes are to be held at +/- .005.
- ② Contact 2- RF OUT
Contact 1- RF IN
- ③ Solder Mask: SR1000, LPI or equivalent.

THE INFORMATION CONTAINED IN THIS DRAWING IS THE SOLE PROPERTY OF BREE ENGINEERING. ANY REPRODUCTION IN PART OR WHOLE WITHOUT THE WRITTEN PERMISSION OF BREE ENGINEERING IS PROHIBITED.

UNLESS OTHERWISE SPECIFIED DIMENSIONS ARE IN INCHES & TOLERANCES ARE: .XXX .XX ANGLES ±.005 ±.01	CAD GENERATED DRAWING DO NOT MANUALLY UPDATE		BEE BREE ENGINEERING	
	DWN	BE	DATE	7/13/01
MATERIAL PCB-FR4	CHK		<h1>OUTLINE</h1>	
	RESP ENG			
	MFG ENG			
FINISH Gold/Soldermask	QUAL ENG		SIZE	B 1K3H5
	Scale for REFERENCE ONLY		DWG NO	700059
			REV	3
			SCALE 4:1	SHEET 1 OF 1