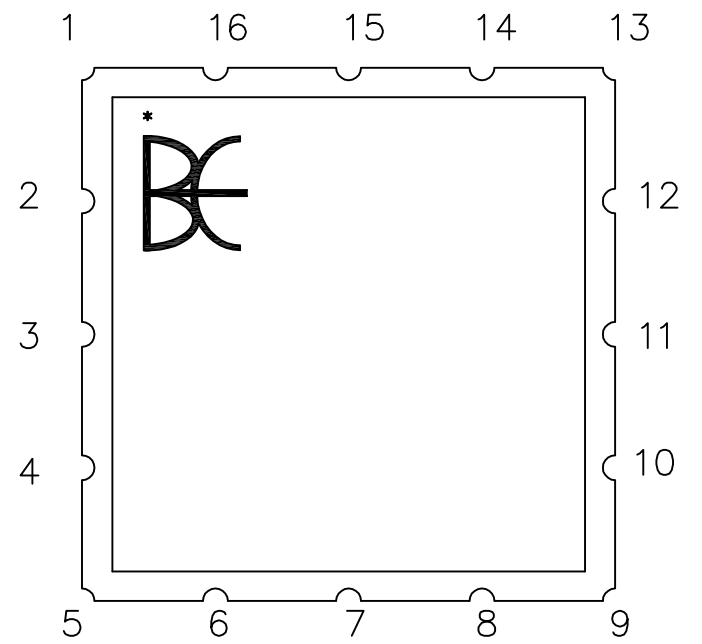
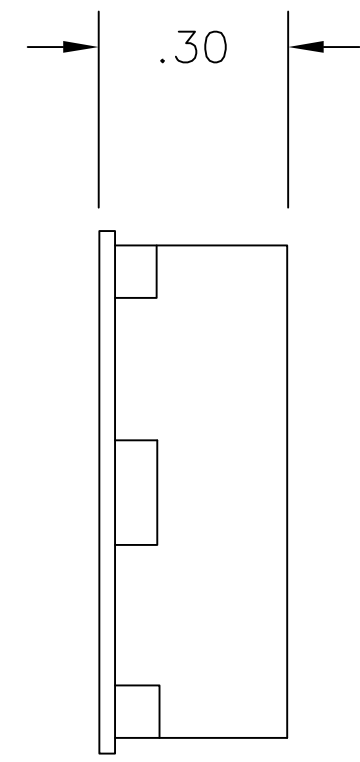
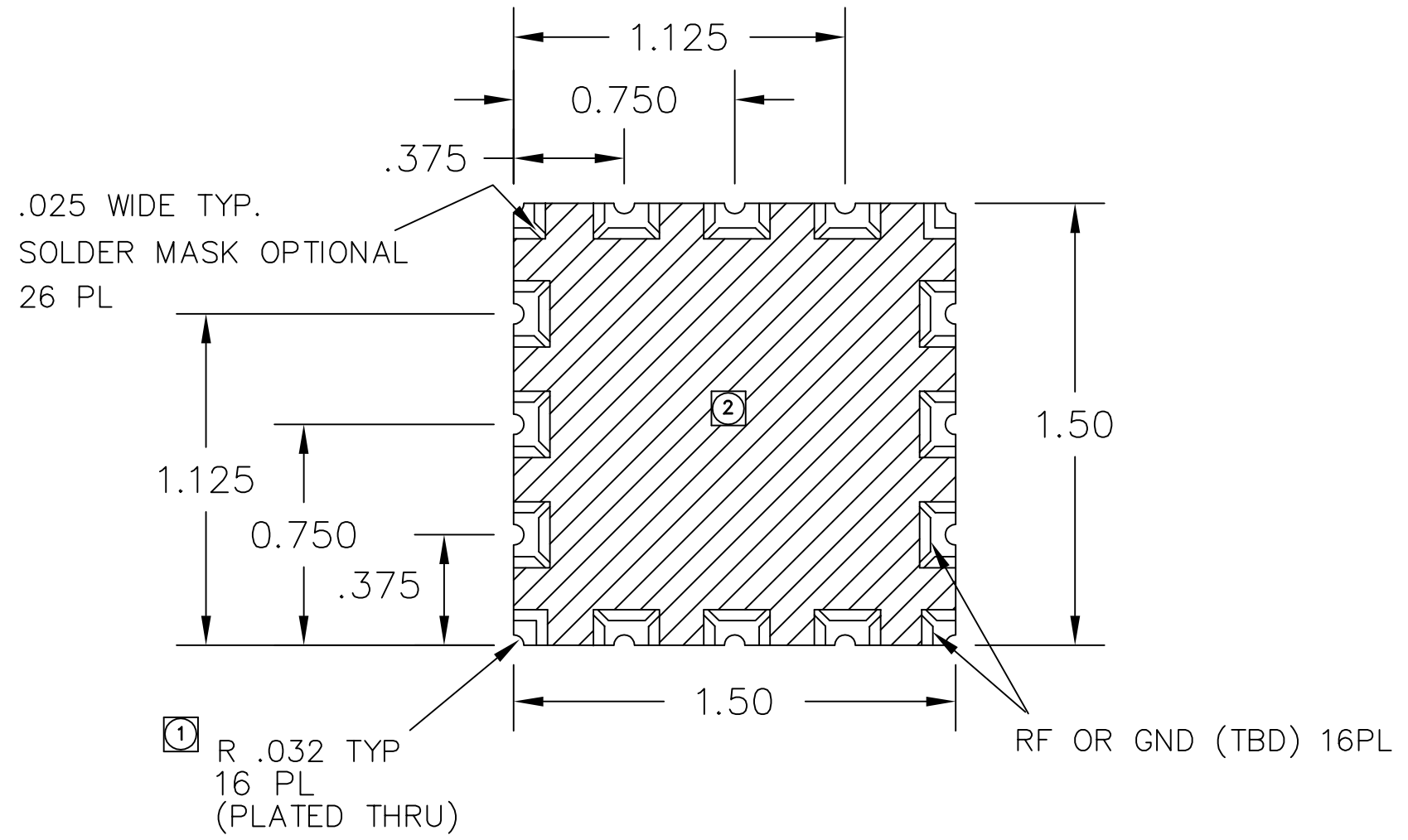


REVISIONS			
REV	DESCRIPTION	DATE	APPROVED



CONTACT I/O
(TOP VIEW)

- ② Solder Mask: SR1000, LPI or equivalent.
- ① Location of plated thru holes are to be held at +/- .005.

THE INFORMATION CONTAINED IN THIS DRAWING IS THE SOLE PROPERTY OF BREE ENGINEERING. ANY REPRODUCTION IN PART OR WHOLE WITHOUT THE WRITTEN PERMISSION OF BREE ENGINEERING IS PROHIBITED.

UNLESS OTHERWISE SPECIFIED DIMENSIONS ARE IN INCHES & TOLERANCES ARE: .XXX .XX ANGLES ±.005 ±.01	CAD GENERATED DRAWING DO NOT MANUALLY UPDATE		BREE ENGINEERING
	DWN BE	DATE 08-30-01	
MATERIAL PCB-FR4 / NICKEL	CHK	RESP ENG	OUTLINE
	MFG ENG		
MATERIAL N/A	QUAL ENG		
	Scale for REFERENCE ONLY		
	SIZE B	CAGE CODE 1K3H5	DWG NO 700062
	SCALE 2:1		REV -
			SHEET 1 OF 1