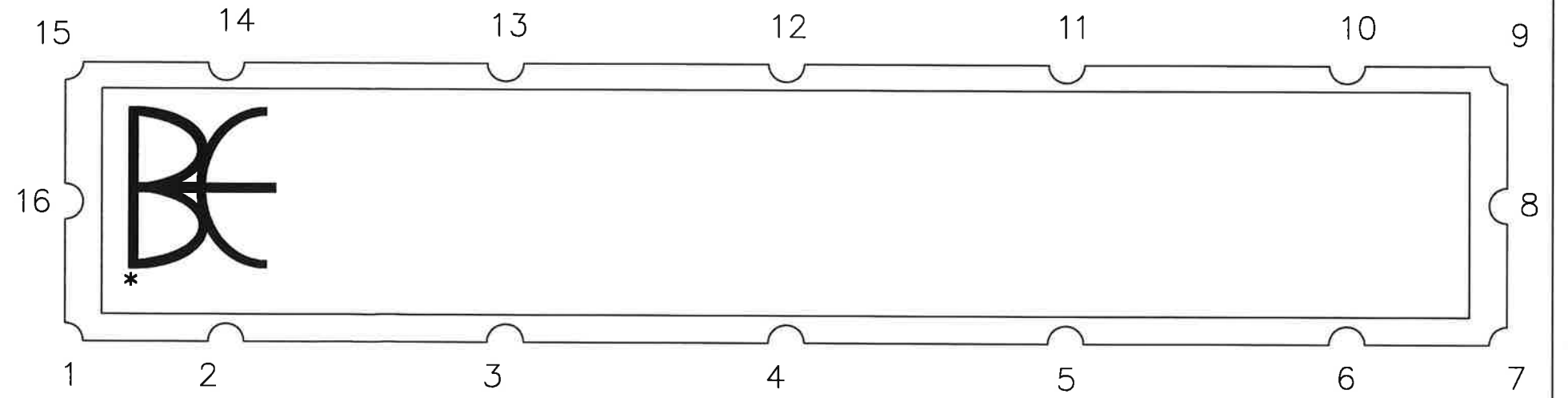
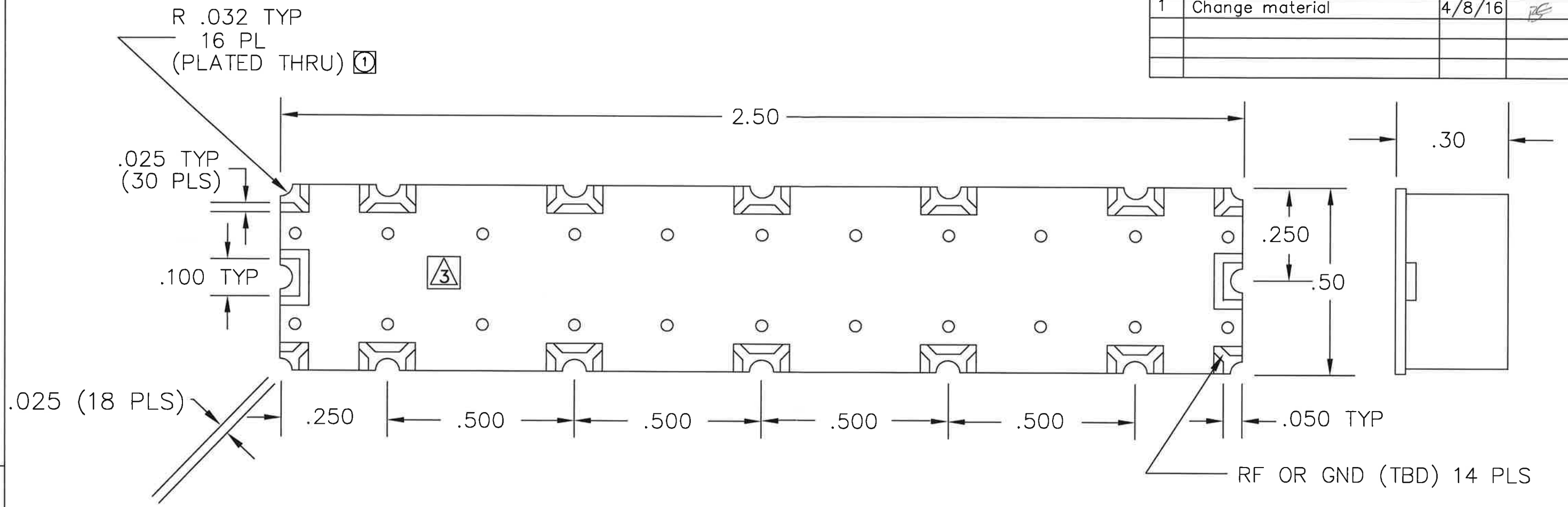


REVISIONS			
REV	DESCRIPTION	DATE	APPROVED
1	Change material	4/8/16	<i>[Signature]</i>



CONTACT I/O
(TOP VIEW)

- ⚠ 3 Soldermask this surface only
- 2 Contact 16 - RF IN
- Contact 8 - RF OUT
- All other contacts are ground
- ① Location of plated thru holes are to be held at +/- .005.

THE INFORMATION CONTAINED IN THIS DRAWING IS THE SOLE PROPERTY OF BREE ENGINEERING. ANY REPRODUCTION IN PART OR WHOLE WITHOUT THE WRITTEN PERMISSION OF BREE ENGINEERING IS PROHIBITED.

UNLESS OTHERWISE SPECIFIED DIMENSIONS ARE IN INCHES & TOLERANCES ARE: .XXX .XX ANGLES ±.005 ±.01	CAD GENERATED DRAWING DO NOT MANUALLY UPDATE		BEE BREE ENGINEERING
	DWN LN	DATE 2/22/05	
MATERIAL Nelco 4000-13-EP	CHK BE	DATE 2/25/05	OUTLINE
FINISH Nickel	RESP ENG	MFG ENG	
	QUAL ENG		SIZE CAGE CODE DWG NO REV B 1K3H5 700123 1
	Scale for REFERENCE ONLY		SCALE N/A SHEET 1 OF 1