

4

3

2

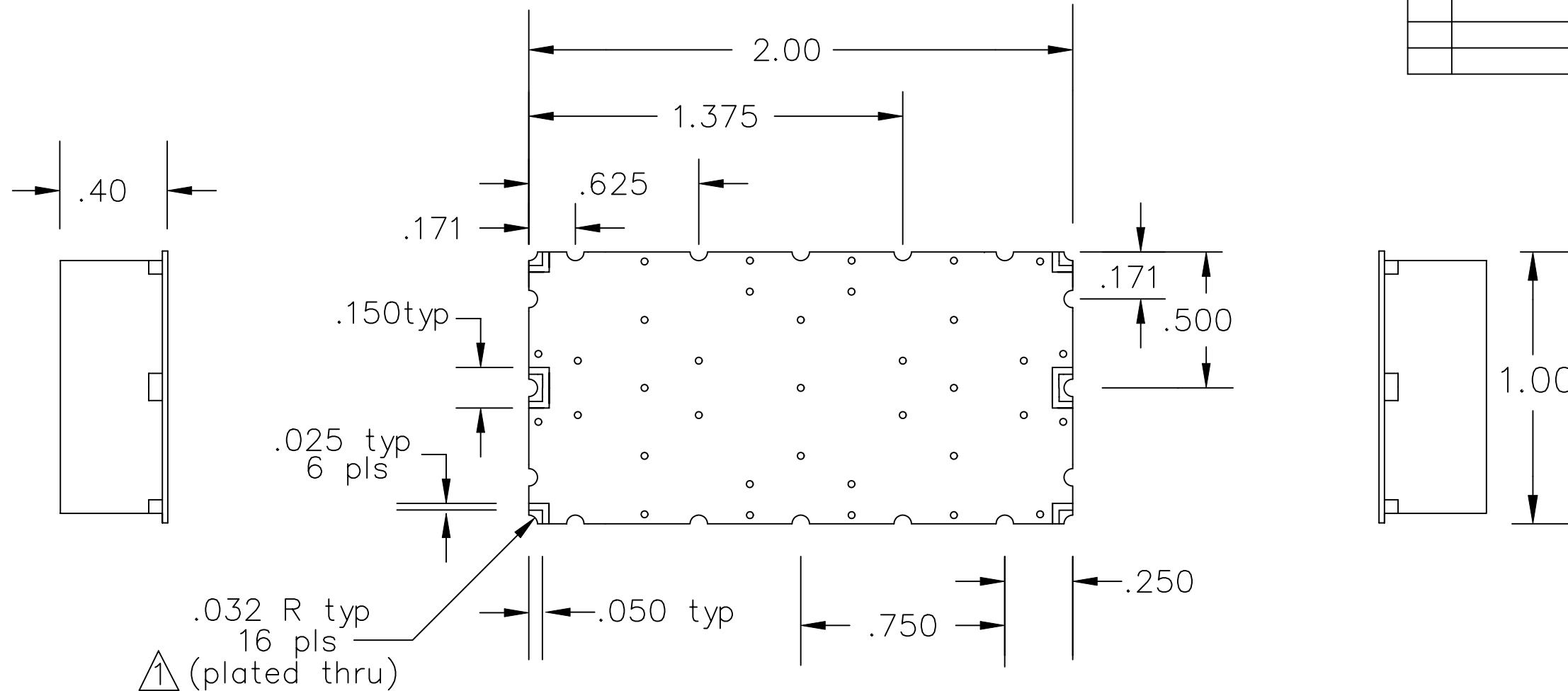
CAGEC 1K3H5 DWG NO 700150 SH 1 REV 1

1

REVISIONS			
REV	DESCRIPTION	DATE	APPROVED
1	Chg. PCB material	10/20/09	

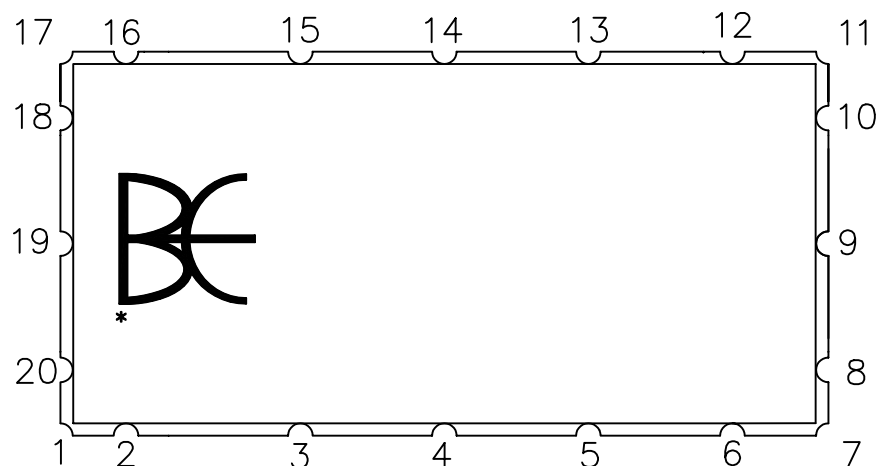
B

B



A

A



CONTACT I/O (TOP VIEW)

2. Must be RoHS Compliant

△ Location of plated thru holes are to held at ±.005

THE INFORMATION CONTAINED IN THIS DRAWING IS THE SOLE PROPERTY OF BREE ENGINEERING. ANY REPRODUCTION IN PART OR WHOLE WITHOUT THE WRITTEN PERMISSION OF BREE ENGINEERING IS PROHIBITED.

UNLESS OTHERWISE SPECIFIED DIMENSIONS ARE IN INCHES & TOLERANCES ARE: .XXX .XX ANGLES ±.005 ±.01	CAD GENERATED DRAWING DO NOT MANUALLY UPDATE	
	DWN KC	DATE 3/15/07
MATERIAL Nelco 4000-13EP	CHK LN	3/15/07
	RESP ENG	
	MFG ENG	
FINISH Nickel QQ-N-290A over copper	QUAL ENG	
	Scale for REFERENCE ONLY	

BREE ENGINEERING	
OUTLINE	
SIZE B	CAGE CODE 1K3H5
DWG NO 700150	REV 1
SCALE TBD	SHEET 1 OF 1

4

3

2

1