

4

3

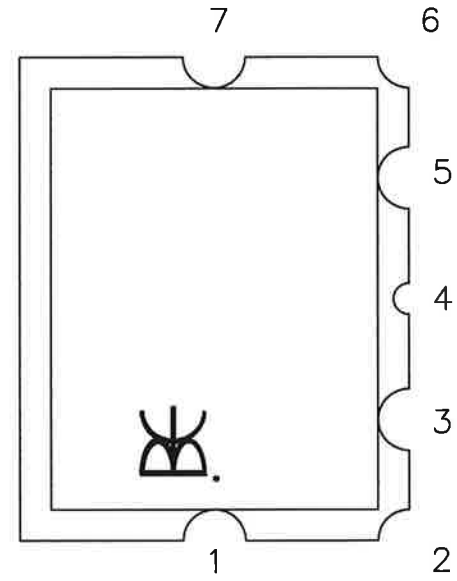
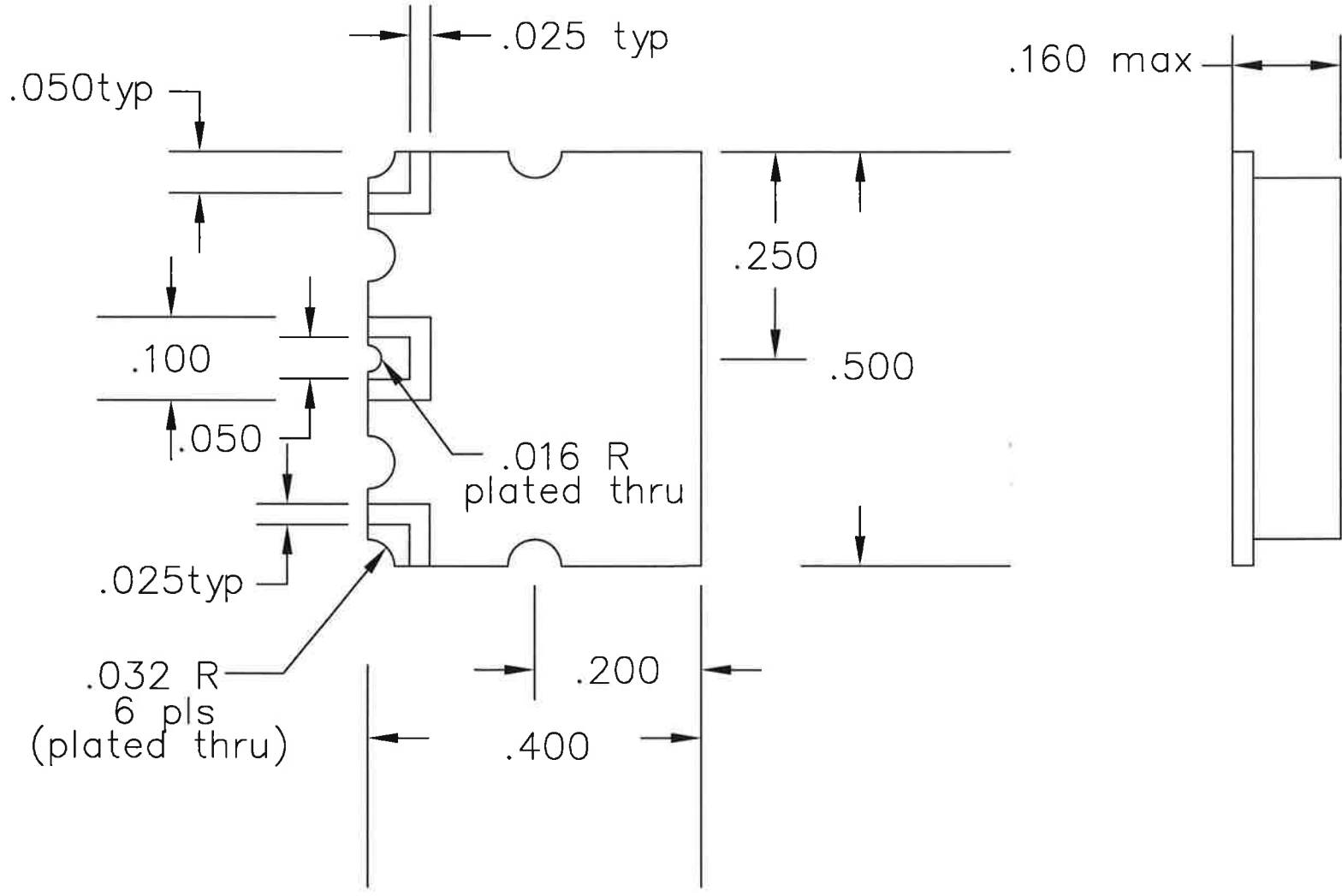
2

CAGEC DWG NO
1K3H5 700179

SH REV
2 2

1

REVISIONS			
REV	DESCRIPTION	DATE	APPROVED
1	chg. overall height of filter	6/24/09	BE
2	chg height dim & material	4/8/16	<i>[Signature]</i>



CONTACT I/O
(top view)

Pin Assignment: 4-Common
2-L1
6-L2
All others are ground

Location of plated thru holes are to be held at $\pm .005$

THE INFORMATION CONTAINED IN THIS DRAWING IS THE SOLE PROPERTY OF BREE ENGINEERING. ANY REPRODUCTION IN PART OR WHOLE WITHOUT THE WRITTEN PERMISSION OF BREE ENGINEERING IS PROHIBITED.

UNLESS OTHERWISE SPECIFIED DIMENSIONS ARE IN INCHES & TOLERANCES ARE: .XXX .XX ANGLES $\pm .005 \pm .01$	CAD GENERATED DRAWING DO NOT MANUALLY UPDATE		BREE ENGINEERING
	DWN LN	DATE	
	CHK BE	6/15/09	
	RESP ENG		
MATERIAL nelco 4000-13-EP (.025 thick Max)	MFG ENG		OUTLINE
FINISH Nickel QQ-N-290A Class 2 Grade F	QUAL ENG		
Scale for REFERENCE ONLY			
SIZE B	CAGE CODE 1K3H5	DWG NO 700179	
SCALE N/A		SHEET 1 OF 1	

4

3

2

1