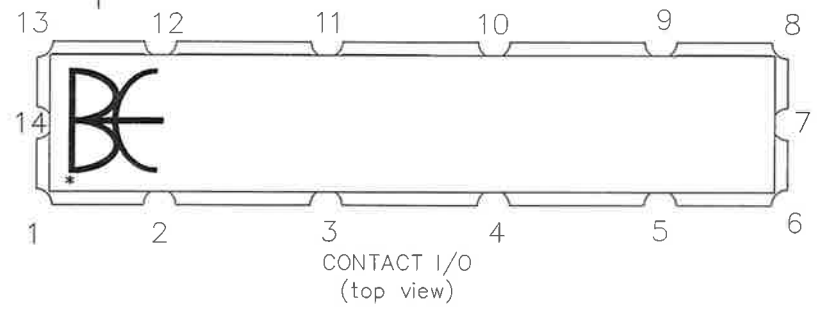
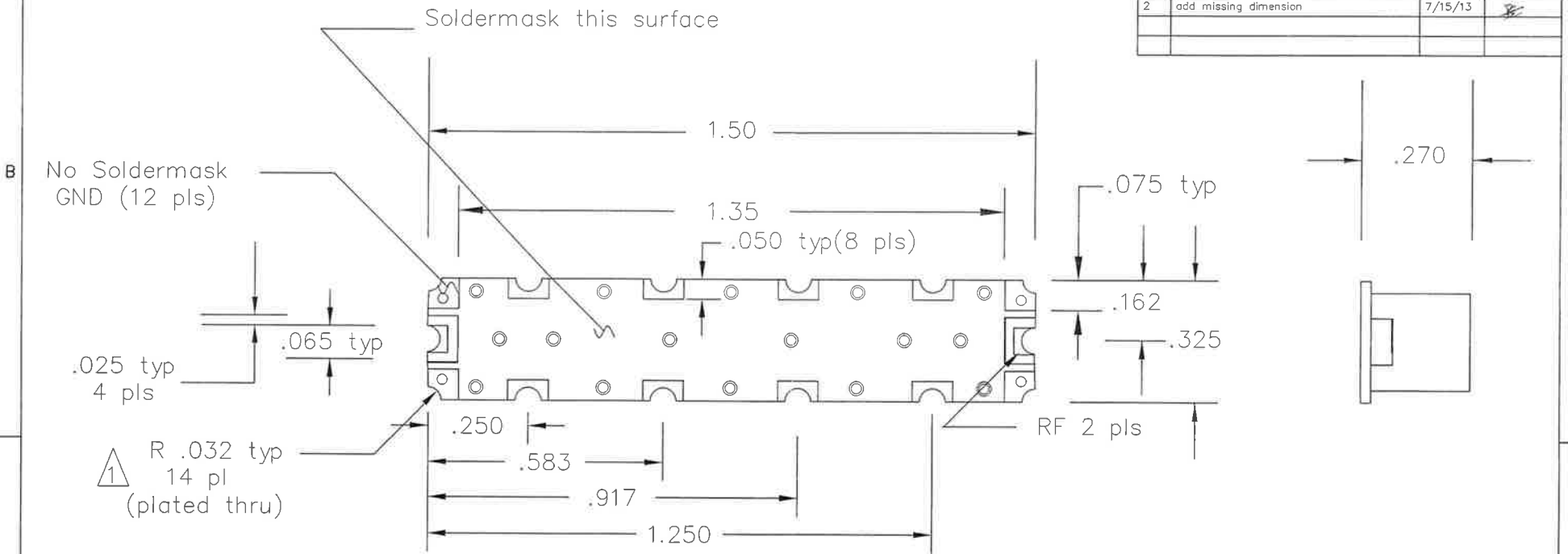


REVISIONS			
REV	DESCRIPTION	DATE	APPROVED
1	Add notes 2 thru 4	3/21/13	BE
2	add missing dimension	7/15/13	<i>[Signature]</i>



- 4 Contacts 2 thru 5 & 9 thru 12 Ground (Optional)
- 3 Contacts 1,6,8 & 13 required grounds
- 2 Contacts 7 & 14 RF I/O

① Location of plated thru holes are to be held at ±.005

THE INFORMATION CONTAINED IN THIS DRAWING IS THE SOLE PROPERTY OF BREE ENGINEERING. ANY REPRODUCTION IN PART OR WHOLE WITHOUT THE WRITTEN PERMISSION OF BREE ENGINEERING IS PROHIBITED.

UNLESS OTHERWISE SPECIFIED DIMENSIONS ARE IN INCHES & TOLERANCES ARE: XXX .XX ANGLES ±.005 ±.01	CAD GENERATED DRAWING DO NOT MANUALLY UPDATE		BEE BREE ENGINEERING
	DWN LN	DATE	
MATERIAL Nelco 4000-13-EP 1/4 TO 1/2 HD 770 .010 THK	CHK	BE	3/7/12
	RESP	ENG	
	MFG	ENG	
QUAL	ENG		
Scale for REFERENCE ONLY			
SIZE	CAGE CODE	DWG NO	REV
B 1K3H5		700201	2
SCALE N/A		SHEET 1 OF 1	