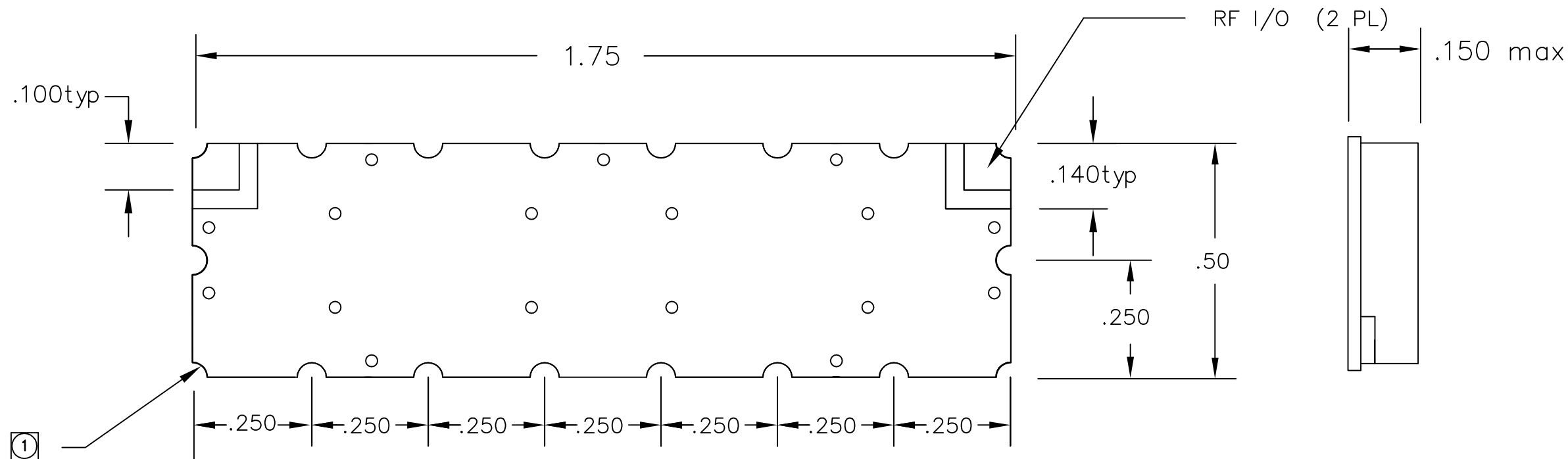
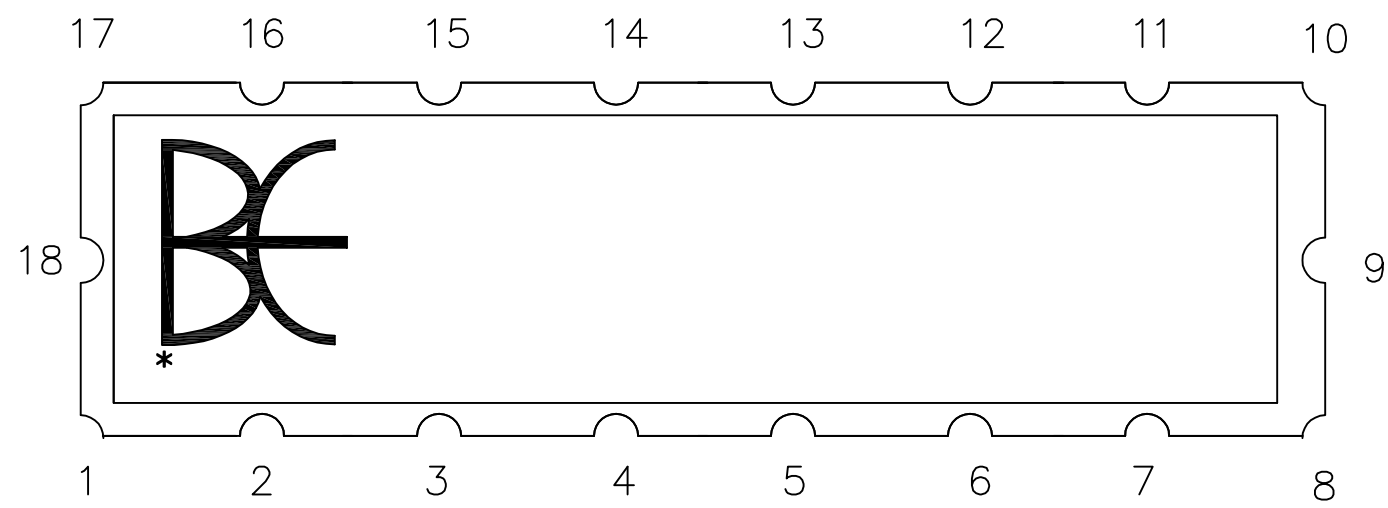


REVISIONS			
REV	DESCRIPTION	DATE	APPROVED



①
R .032 TYP
12 PL
(PLATED THRU)



CONTACT I/O
(TOP VIEW)

① Location of plated thru holes are to be held at +/- .005.

THE INFORMATION CONTAINED IN THIS DRAWING IS THE SOLE PROPERTY OF BREE ENGINEERING. ANY REPRODUCTION IN PART OR WHOLE WITHOUT THE WRITTEN PERMISSION OF BREE ENGINEERING IS PROHIBITED.

UNLESS OTHERWISE SPECIFIED DIMENSIONS ARE IN INCHES & TOLERANCES ARE: .XXX .XX ANGLES ±.005 ±.01	CAD GENERATED DRAWING DO NOT MANUALLY UPDATE		BEE BREE ENGINEERING
	DWN LN	DATE 3/28/12	
MATERIAL: Header: Nelco 4000-13-EP Gold plated (PCB) Cover: 1/4 to 1/2 HD 770	CHK		OUTLINE
	RESP ENG		
	MFG ENG		
FINISH: Header: Gold Cover: Nickel	QUAL ENG		
Scale for REFERENCE ONLY		SIZE CAGE CODE DWG NO	REV
SCALE 4:1		B 1K3H5 700203	-
			SHEET 1 OF 1