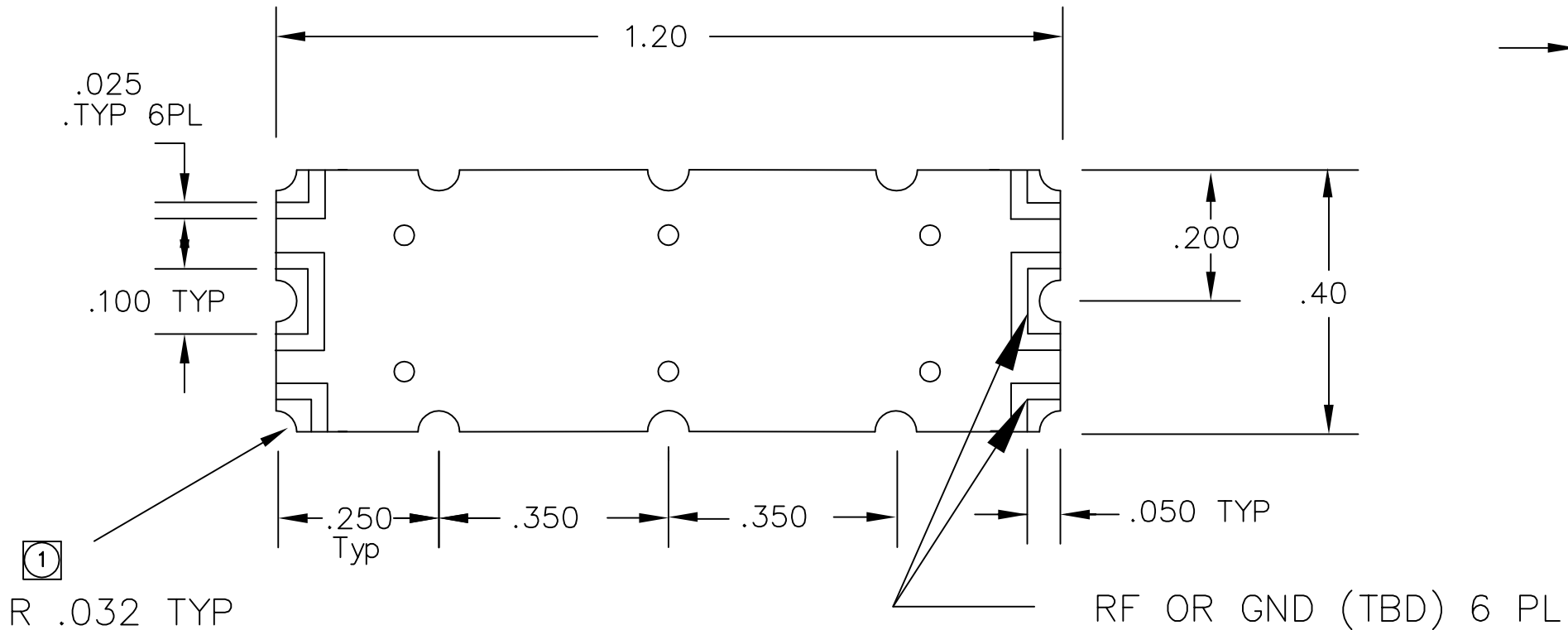
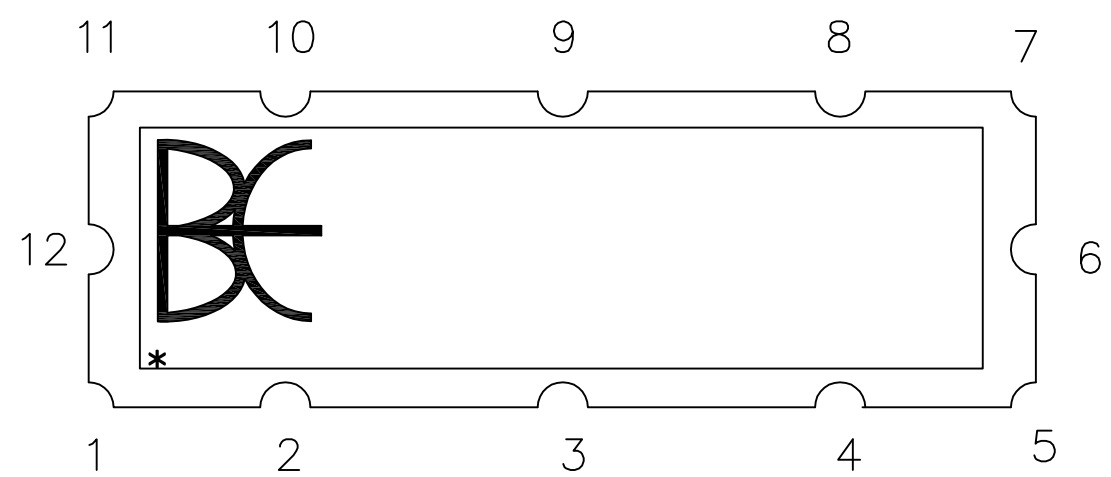


| REVISIONS | | | |
|-----------|-------------|------|----------|
| REV | DESCRIPTION | DATE | APPROVED |
| | | | |
| | | | |
| | | | |
| | | | |



① R .032 TYP
12 PL
(PLATED THRU)



CONTACT I/O
(TOP VIEW)

① Location of plated thru holes are to be held at +/- .005.

THE INFORMATION CONTAINED IN THIS DRAWING IS THE SOLE PROPERTY OF BREE ENGINEERING. ANY REPRODUCTION IN PART OR WHOLE WITHOUT THE WRITTEN PERMISSION OF BREE ENGINEERING IS PROHIBITED.

| | | | |
|--|---|-----------------|---|
| UNLESS OTHERWISE SPECIFIED DIMENSIONS ARE IN INCHES & TOLERANCES ARE: .XXX .XX ANGLES ±.005 ±.01 | CAD GENERATED DRAWING DO NOT MANUALLY UPDATE | | BREE ENGINEERING |
| | DWN LN | DATE 3/27/13 | |
| MATERIAL Nelco/Nickel | CHK | | OUTLINE |
| | RESP ENG | | |
| FINISH Nickel | MFG ENG | | SIZE CAGE CODE DWG NO B 1K3H5 700219 |
| | QUAL ENG | | |
| Scale for REFERENCE ONLY | | | REV - |
| SCALE 4:1 | | | SHEET 1 OF 1 |