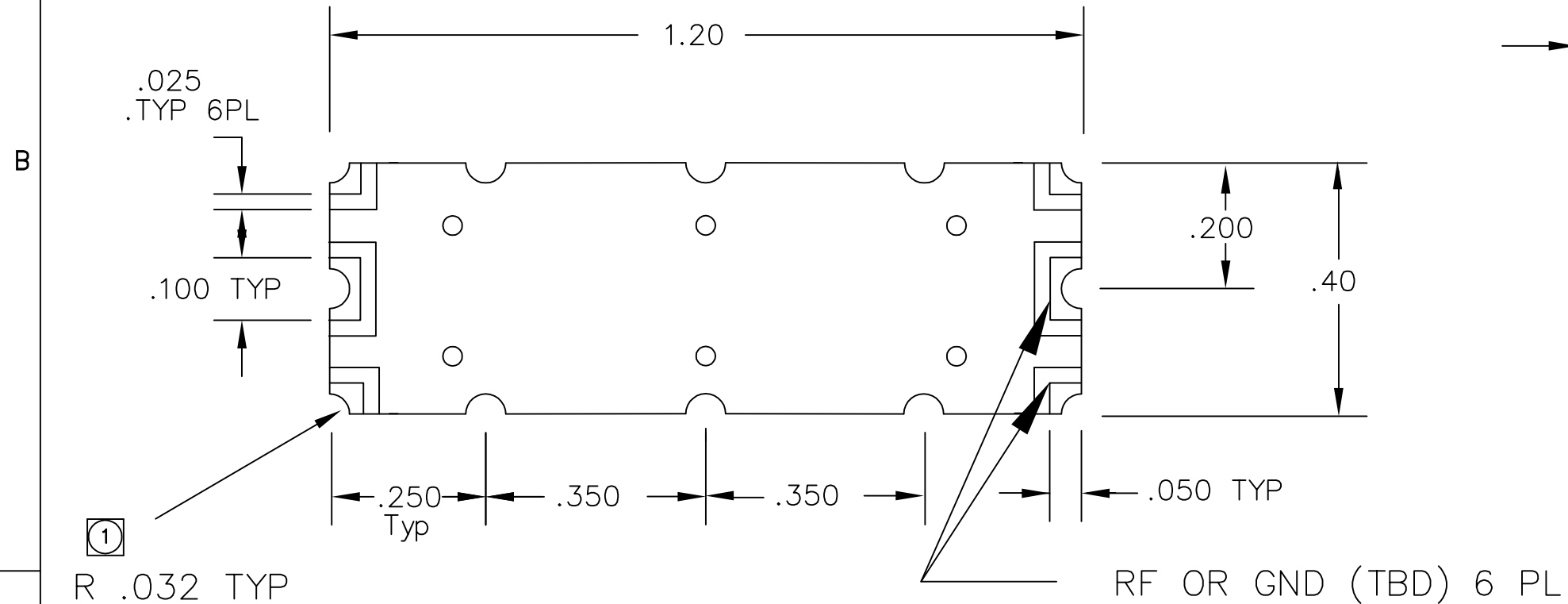
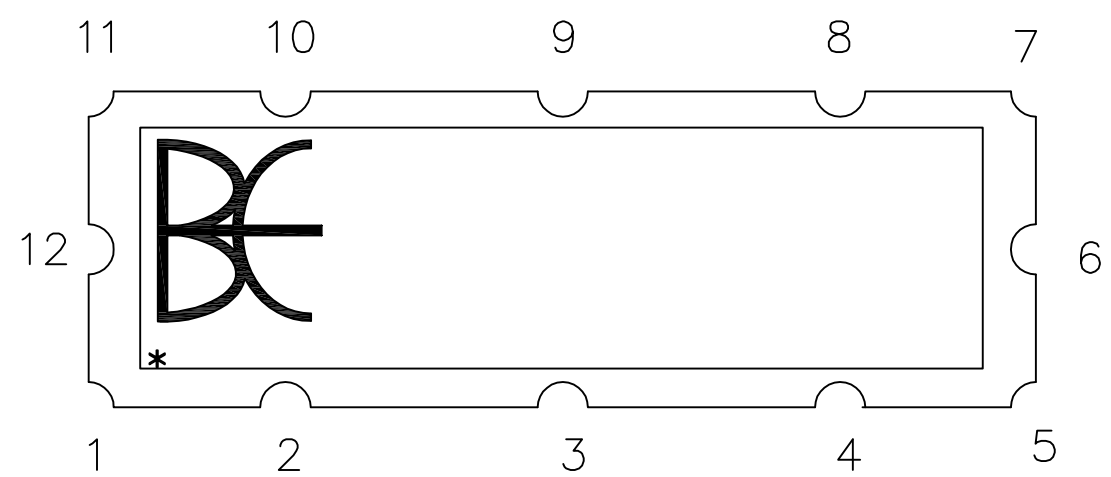


REVISIONS			
REV	DESCRIPTION	DATE	APPROVED



① R .032 TYP
12 PL
(PLATED THRU)



① Location of plated thru holes are to be held at +/- .005.

THE INFORMATION CONTAINED IN THIS DRAWING IS THE SOLE PROPERTY OF BREE ENGINEERING. ANY REPRODUCTION IN PART OR WHOLE WITHOUT THE WRITTEN PERMISSION OF BREE ENGINEERING IS PROHIBITED.

UNLESS OTHERWISE SPECIFIED DIMENSIONS ARE IN INCHES & TOLERANCES ARE: .XXX .XX ANGLES ±.005 ±.01	CAD GENERATED DRAWING DO NOT MANUALLY UPDATE		BEE BREE ENGINEERING	
	DWN LN	DATE 12/6/13	OUTLINE	
MATERIAL Nelco/Gold	CHK	RESP ENG		
FINISH Gold	MFG ENG	QUAL ENG		
Scale for REFERENCE ONLY		SIZE CAGE CODE DWG NO	REV	
SCALE 4:1		B 1K3H5 700231	-	
		SHEET 1 OF 1		