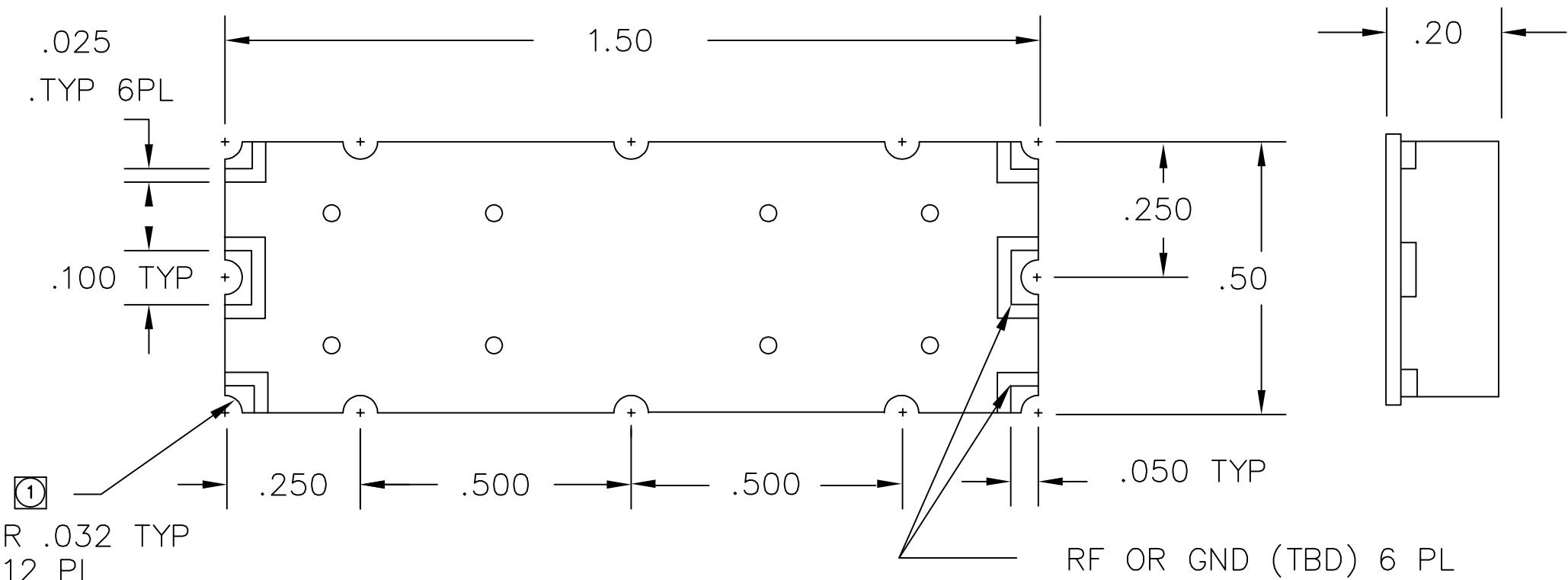
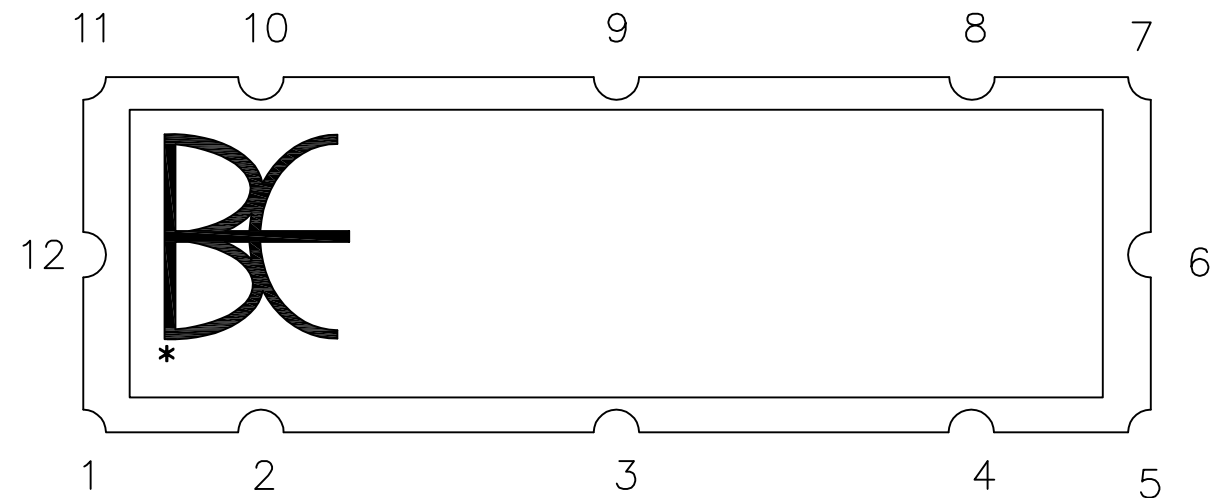


| REVISIONS |             |      |          |
|-----------|-------------|------|----------|
| REV       | DESCRIPTION | DATE | APPROVED |
|           |             |      |          |
|           |             |      |          |
|           |             |      |          |
|           |             |      |          |



① R .032 TYP  
12 PL  
(PLATED THRU)



CONTACT I/O  
(TOP VIEW)

① Location of plated thru holes are to be held at +/- .005.

THE INFORMATION CONTAINED IN THIS DRAWING IS THE SOLE PROPERTY OF BREE ENGINEERING. ANY REPRODUCTION IN PART OR WHOLE WITHOUT THE WRITTEN PERMISSION OF BREE ENGINEERING IS PROHIBITED.

|  |  |             |   |
|--|--|-------------|---|
| UNLESS OTHERWISE SPECIFIED DIMENSIONS ARE IN INCHES & TOLERANCES ARE:<br>.XXX .XX ANGLES<br>±.005 ±.01 | CAD GENERATED DRAWING DO NOT MANUALLY UPDATE |             | BEE BREE ENGINEERING                    |
|  | DWN LN                                       | DATE 8/7/14 |   |
| MATERIAL<br>Nelco 4000-13-EP   | CHK  |             | OUTLINE                                 |
|  | RESP ENG                                     |             |   |
|  | MFG ENG                                      |             |   |
| Finish<br>Nickel   | QUAL ENG                                     |             | SIZE CAGE CODE DWG NO<br>B 1K3H5 700237 |
|  | Scale for REFERENCE ONLY                     |             |   |
| SCALE 4:1  |  |             | REV -<br>SHEET 1 OF 1                   |