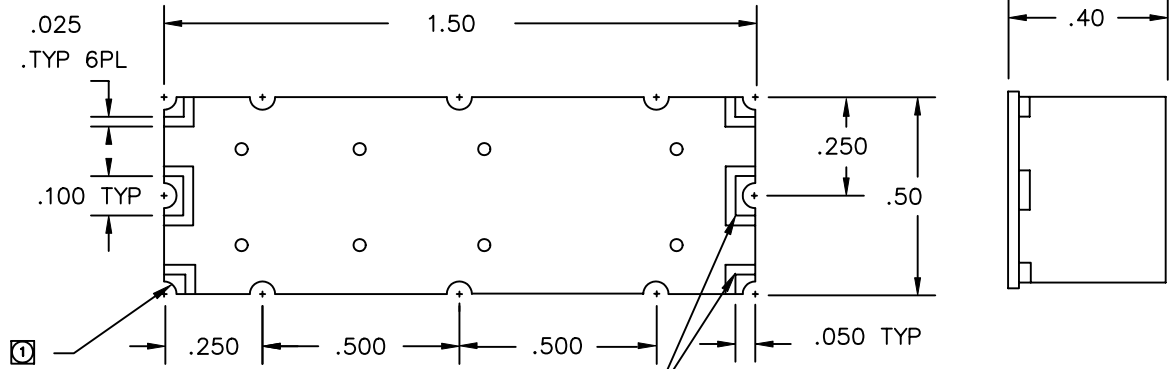


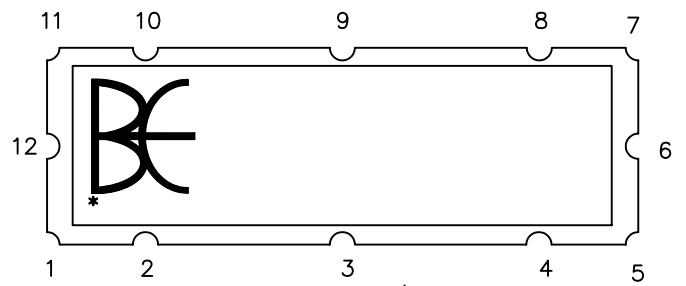
CAGE DWG NO 700020
 1K3H5 B 1

REVISIONS			
REV	DESCRIPTION	DATE	APPROVED
A	ADD I/O	02-09-00	BE
B	CAD DRAWING	03-04-00	BE



① R .032 TYP
 12 PL
 (PLATED THRU)

RF OR GND (TBD) 6 PL



CONTACT I/O
 (TOP VIEW)

① Location of plated thru holes are to be held at +/- .005.

THE INFORMATION CONTAINED IN THIS DRAWING IS THE SOLE PROPERTY OF BREE ENGINEERING. ANY REPRODUCTION IN PART OR WHOLE WITHOUT THE WRITTEN PERMISSION OF BREE ENGINEERING IS PROHIBITED.

UNLESS OTHERWISE SPECIFIED DIMENSIONS ARE IN INCHES & TOLERANCES ARE: JOCS .XX ±.005 ANGLE 45°		CAD GENERATED DRAWING DO NOT MANUALLY UPDATE		BEE BREE ENGINEERING	
MATERIAL	PCB-FR4 / NICKEL	DRN	BE	DATE	11-24-99
MATERIAL	M/A	CHK		RESP ENG	
MATERIAL	M/A	MFG ENG		QUAL ENG	
Scale for REFERENCE ONLY		SIZE	CAGE CODE	DWG NO	REV
		B	1K3H5	700020	B
		SCALE 4:1	SHEET 1 OF 1		